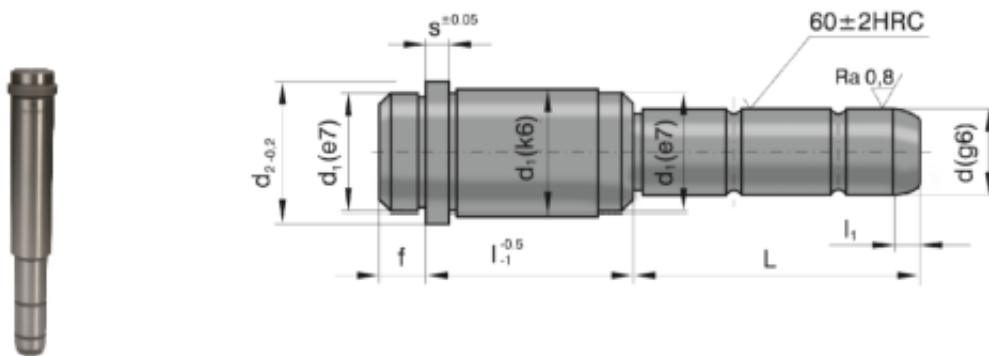


Słup prowadzący AKS01-22027035



Opis produktu

Znormalizowane słupy prowadzące do form wtryskowych.



Dostępne rozmiary

| model | D | d1 | d2 | s | f | l1 | l | L | | numer katalogowy | numer katalogowy |
|-------|-------|-----|-----|---|----------------|----------------|----|-----|--|-----------------------|------------------|
| AKS01 | 18/20 | 26 | 31 | 6 | 9 | 7 | 22 | 35 | | AKS01-18022035 | AKS01-20022035 |
| | | | | | | | 27 | 35 | | AKS01-18027035 | AKS01-20027035 |
| | | | | | | | 46 | 65 | | AKS01-18046065 | AKS01-20046065 |
| | | | | | | | 56 | 75 | | AKS01-18056075 | AKS01-20056075 |
| | 22/24 | 30 | 35 | 6 | 9 | 7 | 22 | 35 | | AKS01-22022035 | AKS01-24022035 |
| | | | | | | | 27 | 35 | | AKS01-22027035 | AKS01-24027035 |
| | | | | | | | 36 | 55 | | AKS01-22036055 | AKS01-24036055 |
| | | | | | | | 46 | 65 | | AKS01-22046065 | AKS01-24046065 |
| | | | | | | | 56 | 75 | | AKS01-22056075 | AKS01-24056075 |
| | | | | | | | 96 | 125 | | AKS01-22096125 | AKS01-24096125 |
| | 30/32 | 42 | 47 | 6 | 9 | 7 | 27 | 45 | | AKS01-30027045 | AKS01-32027045 |
| | | | | | | | 36 | 55 | | AKS01-30036055 | AKS01-32036055 |
| | | | | | | | 46 | 65 | | AKS01-30046065 | AKS01-32046065 |
| | | | | | | | 56 | 75 | | AKS01-30056075 | AKS01-32056075 |
| | | | | | | | 66 | 75 | | AKS01-30066075 | AKS01-32066075 |
| | | | | | | | 76 | 95 | | AKS01-30076095 | AKS01-32076095 |
| | | | | | | | 86 | 95 | | AKS01-30086095 | AKS01-32086095 |
| | | | | | | | 96 | 115 | | AKS01-30096115 | AKS01-32096115 |
| | | 116 | 155 | | AKS01-30116155 | AKS01-32116155 | | | | | |