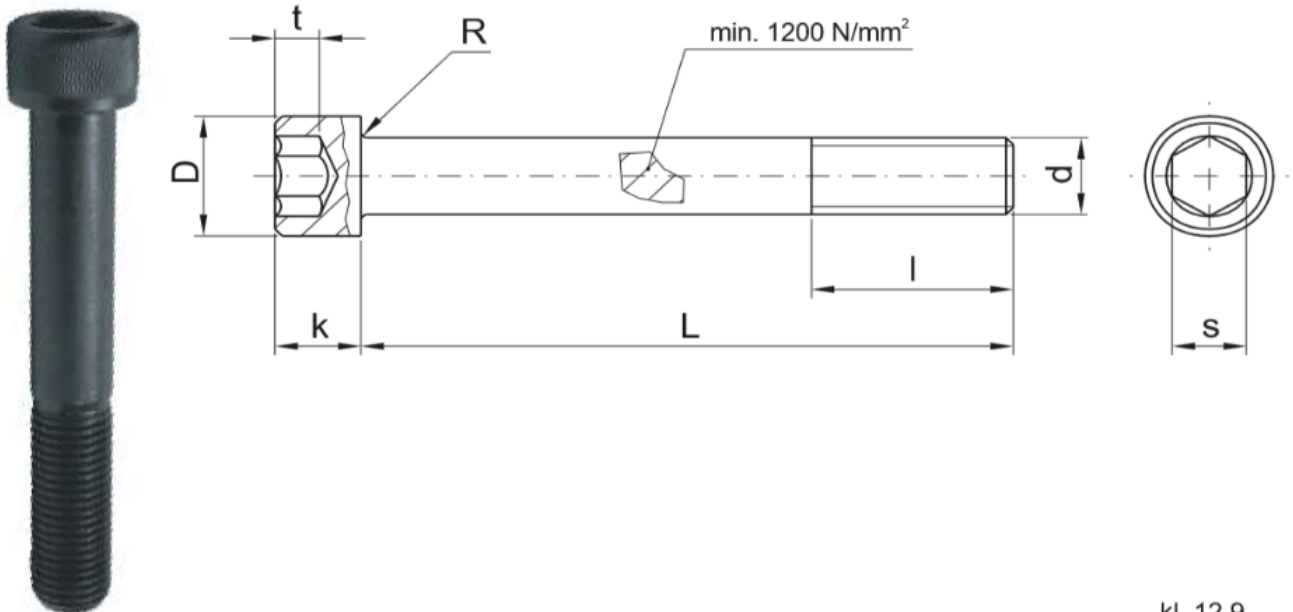


Link do produktu: <http://sklep.akrostal.pl/sruba-z-lbem-walcowym-aks04-08025-100szt-p-334.html>

Śruba z łbem walcowym AKS04-08025 - 100szt.

Opis produktu

Znormalizowane śruby z łbem walcowym do form



kl. 12.9

| model | d | D | s | k | t | l | R | L | numer katalogowy |
|-------|-----|----|----|----|---|----|-----|-------------|------------------|
| AKS04 | M08 | 18 | 10 | 12 | 6 | 38 | 0,6 | 16 | AKS04-08016 |
| | | | | | | | | 25 | AKS04-08025 |
| | M12 | 18 | 10 | 12 | 6 | 38 | 0,6 | 25 | AKS04-12025 |
| | | | | | | | | 90 | AKS04-12090 |
| | | | | | | | | 100 | AKS04-12100 |
| | | | | | | | 110 | AKS04-12110 | |